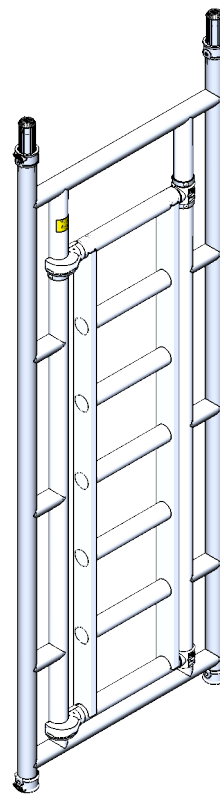
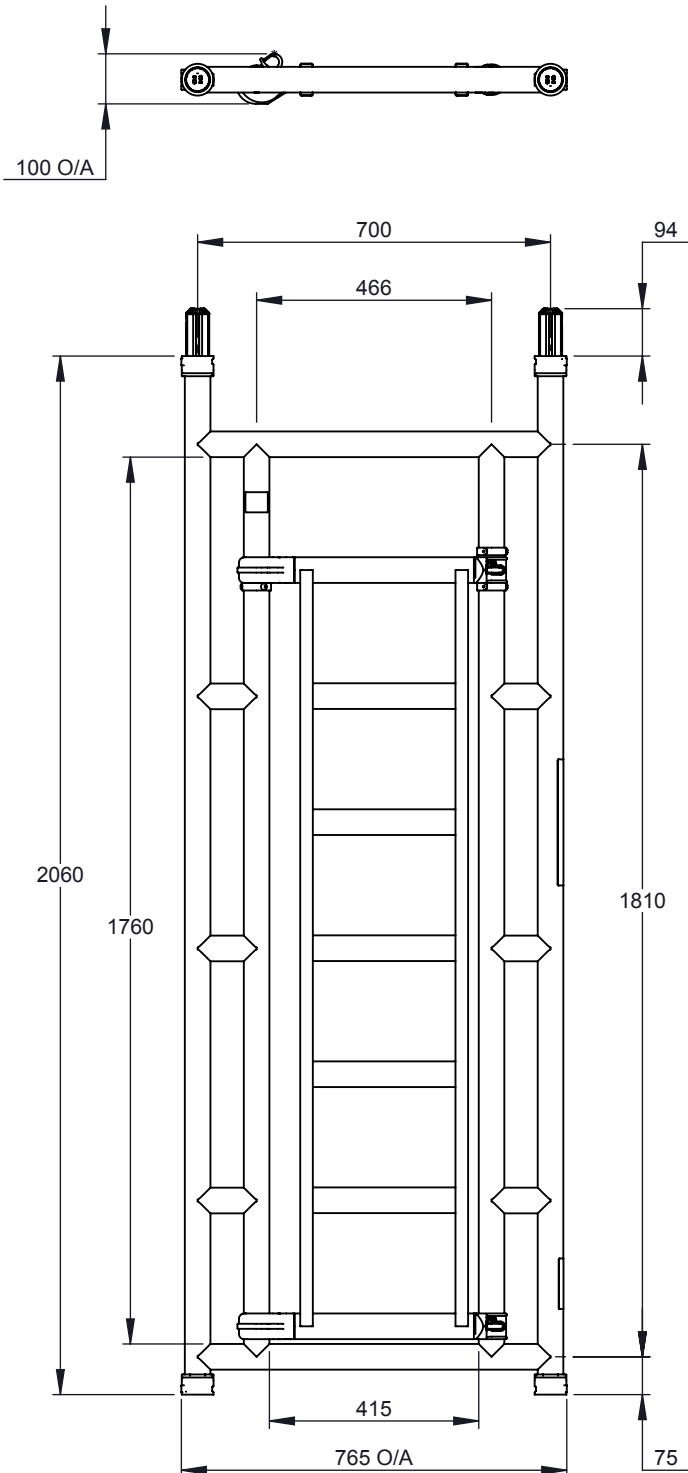
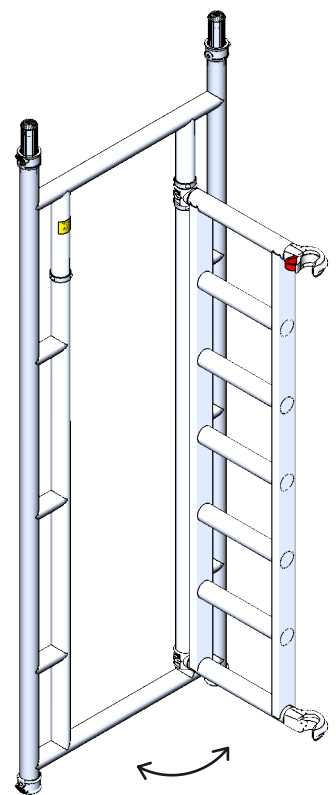


TECHNICAL SPECIFICATION

Note: All dimensions in mm unless otherwise stated



**PORTAL LADDER
CLOSED**



**PORTAL LADDER
OPEN**

NOTE: ALL TUBES 50.8mm

PART NO.	DESCRIPTION	WEIGHT
330526	PORTAL LADDER FRAME Mk2 - 2.06m - 8 RUNG - 700 WIDE	12.8kg