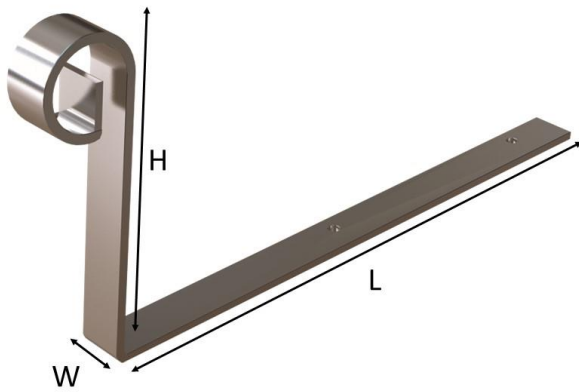


# SHI Hip Iron

A steel retaining bracket with decorative scroll design, used with traditional hipped roofs to prevent ridge tile movement. Screw or nail fix to rafter and embed in mortar. Manufactured from galvanised mild steel or stainless steel to order. Box quantity 50.



## Product

### SHI

Packaging:

- Box quantities see table below

Product Details				
Product code	Dimensions (mm)			
	T	W	L	H
SHI/300/3	3.0	25	300	150
SHI/300/4	4.0	25	300	150
SHI/300/5	5.0	25	300	150