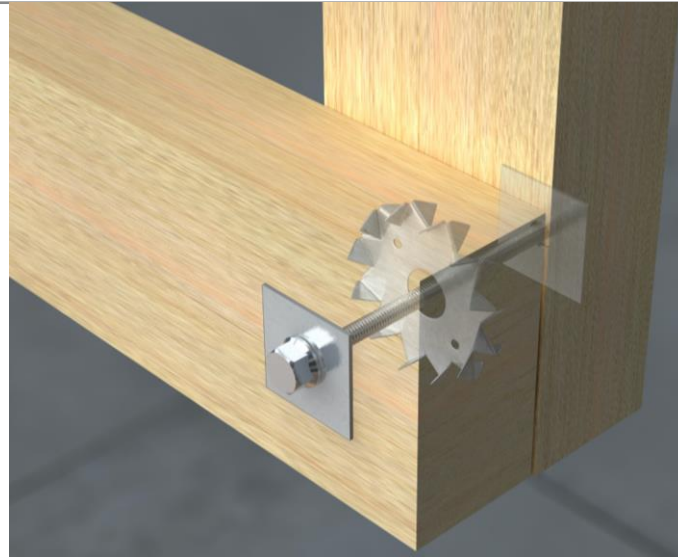
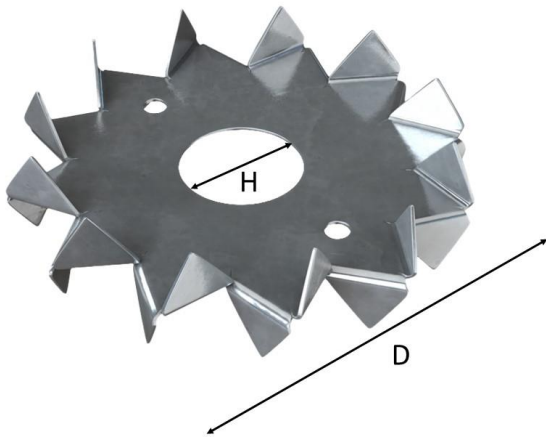


## DSTC / SSTC Tooth Plate Connectors

The DSTC (Double sided) and SSTC (Single Sided) Tooth Plate connector is designed to improve the performance of bolted connections, timber connectors are manufactured in accordance with BS EN 912:200. Type C6/C7 and produced from 1mm thick galvanised steel to BS EN 10346 DX51D +G275. Stainless steel and hot dipped galvanised after manufacture are also available



### Product

#### DSTC / SSTC

Features:

- Easy to use

Fixings:

- By Building Designer

Approvals:

- CE Marked
- UKCA Marked

Packaging:

- Box Quantities see table

Product Details

Product code	Dimensions (mm)		Single / Double sided	Box Quantity
	D	H		
SSTC/38	38	M12	Single	100
SSTC/50	50			100
SSTC/63	63			100
SSTC/75	75			75
DSTC/38	38	M12	Double	100
DSTC/50	50			100
DSTC/63	63			100
DSTC/75	75			75