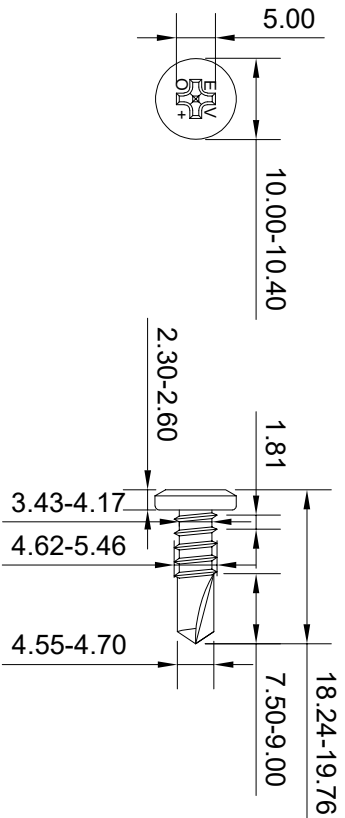
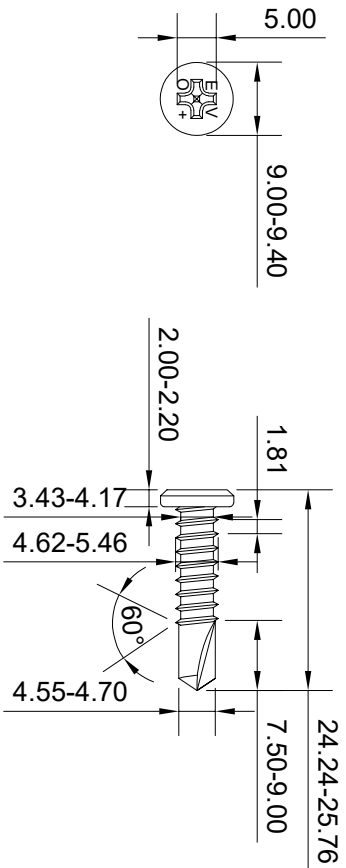


TSPH4.8-16-3
Scale 1:1



TSPH5.5-19-3
Scale 1:1



TSPH5.5-25-3
Scale 1:1

Note: Structural sections to be designed by others. Evolution screws specified in accordance with material loads in accordance with material loads provided by project specific engineer. Evolution screws to be installed as per best practice or manufacturers guidelines.

ALL DIMENSIONS IN MILLIMETRES - DO NOT SCALE



DESCRIPTION
TSPH Tek 3 Range

B	17.11.20	RMCD	DIMENSIONS REVISD	QUOTE REF:	N/A	SHEET:	01	ISSUE:	B
A	04.12.18	RM	INITIAL ISSUE	SCALE:	NTS	SHEET:	01	ISSUE:	B
ISS	DATE	DRAWN	MODIFICATION						