

INSTALLATION INSTRUCTIONS

Razor Edge Lit Panels

Product Codes: **RZR6636-30, RZR6636-40, RZR6636-60, RZR12336-30, RZR12336-40, RZR12336-60, RZR12650-30, RZR12650-40, RZR12650-60, RZR6326-30, RZR6326-40, RZR6326-60**

Safety Warning



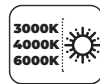
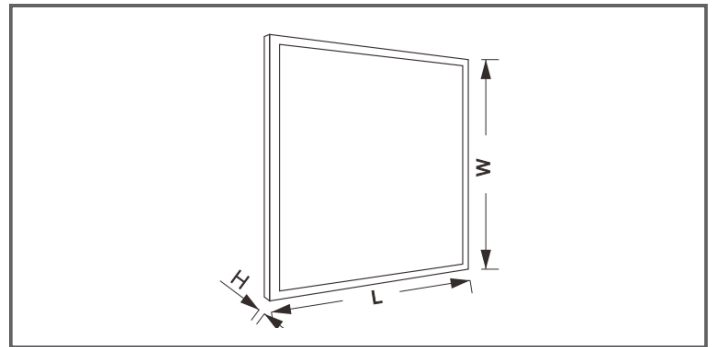
- The installation should be carried out by a qualified electrician in compliance with the current edition of the IEE Wiring Regulations.
- Prior to installation, carry out the necessary risk assessment considering the people who could be at risk, the level of risk and the precautions required to control the risk
- Ensure that the circuit supply is isolated either by the circuit supply fuse being removed or the applicable circuit breaker being turned off before installation or any maintenance.
- Check the total load on the circuit ensuring the luminaire does not exceed the rating of the circuit cable, fuse or circuit breaker.
- Long-term use and voltage fluctuations can reduce the life span of the fitting.
- If the fitting incorporates control gear, ensure careful sizing to avoid instances of nuisance tripping of the protective device used in the installation.
- Follow the provided installation instructions, using the fixings supplied or recommended.
- Keep out of reach of children.



Specification

Box Contents -
1 x Razor LED Panel & Driver

Dimensions:	RZR6636: L: 595 x W: 595 x D: 10mm RZR12336: L: 1195 x W: 295 x D: 10mm RZR12650: L: 1195 x W: 595 x D: 10mm RZR6326: L: 595 x W: 295 x D: 10mm
Material:	Body - Aluminium, Light Guide - PMMA, Diffuser - TP(b) PS
Working Temperature:	Standard: -20°C - 40°C

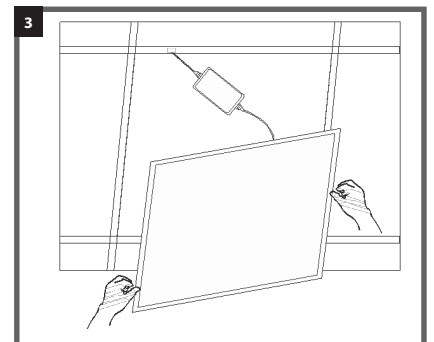
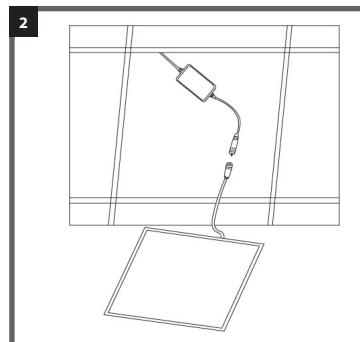
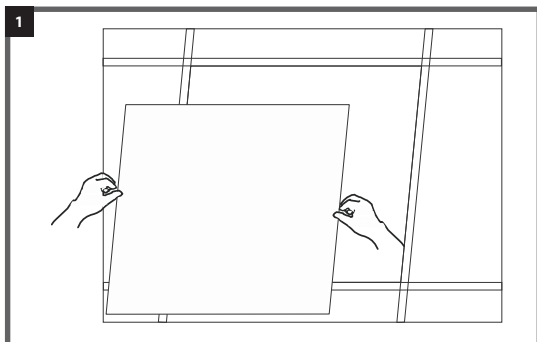


MAXIMUM FITTINGS PER CIRCUIT

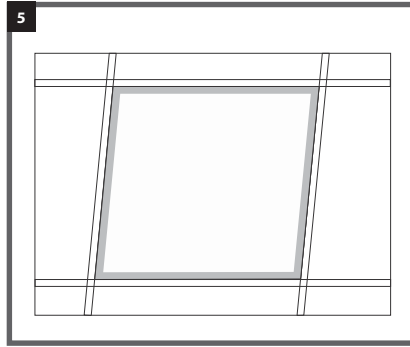
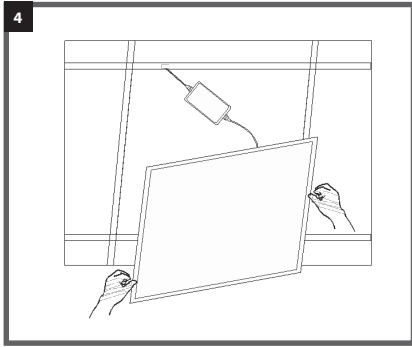
Automatic Circuit Breaker Type:	B10	B13	B16	B20	B25	C10	C13	C16	C20	C25	D12	D13	D16	D20	D25
Rated Current:	6A	13A	16A	20A	25A	10A	13A	16A	20A	25A	10A	13A	16A	20A	25A
Cable (mm):	1.5	1.5	2.5	2.5	4	1.5	1.5	1.5	2.5	4	1.5	1.5	1.5	2.5	4
26W	8	10	13	16	20	13	17	21	26	33	26	34	42	53	66
36W	8	10	13	16	20	13	17	21	26	33	26	34	42	53	66
50W	10	13	16	21	26	17	22	27	34	43	27	35	44	55	68

Installation Instructions

- Ensure the mains supply is switched off before commencing any work. Remove the ceiling tile or existing light fitting from the ceiling.
- Connect wires from the mains supply to the LED Driver. (Note: Brown = L, Blue = N). Terminate the Earth from the supply safely.
- Connect the LED Panel to the LED Driver with the male / female connectors provided.



4. It is recommended that the LED Driver is placed on a ceiling tile next to the void.
5. Now fit the LED Panel into the ceiling grid and let it rest in position.



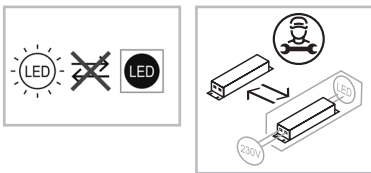
6. Do not cover the LED Panel with insulation - allow a space of 100mm around the Panel for free air movement.
7. Do not use the LED Driver supplied to power any other fitting or device other than the LED Panel supplied.
8. Reconnect the mains supply.

Guarantee

This product is guaranteed for a period of 7 years from the date of purchase. The guarantee is invalid in the case of improper use, tampering, removal of the Q.C. date label, installation in an improper working environment or installation not according to the current edition of the I.E.E. Wiring Regulations (BS7671). The guarantee is also invalidated if the luminaire has been insulation tested. Should this product fail during the guarantee period it will be replaced free of charge, subject to correct installation and return of the faulty unit. We do not accept responsibility for any installation costs associated with the replacement of this product. Your statutory rights are not affected. We reserve the right to alter specifications without prior notice.

Maintenance

- This fitting will require routine cleaning if used in adverse (dust, paint, welding, oils etc) environments. Do not use solvents, aggressive detergents or abrasives.
- The driver in this luminaire can be quickly and easily replaced. This should be carried out by a competent person. Contact Red Arrow for details of replacements.



- When this fitting comes to the end of its life or you choose to replace it, please do not dispose of it with your normal waste. Please recycle where the facilities exist, check with your local authority for suitable options.

INS/COMMERCIAL/0025/RZR/V2