



tuffbank™

Featuring IntaLokt locking mechanism

Product code: TB12

- » Part of the industry standard range of secure tool and equipment storage.
- » Specifically designed for use on the back of trucks.
- » Maximum security with the one-of-a-kind external and internal anti-jimmy systems.



Product features



2x deadlock



Gas strut G300



No detachable parts



SlamStop lid stay SLM3

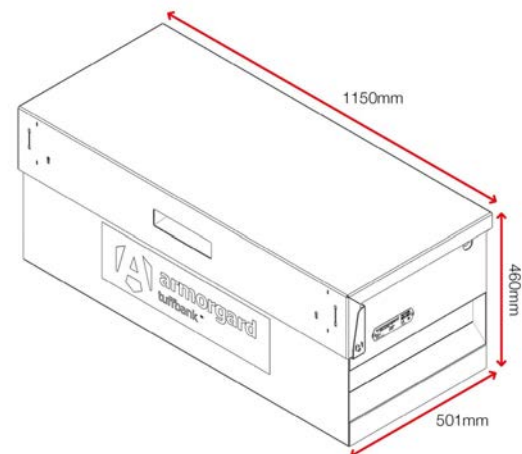


Suitable for van

Specifications

Weight	59kg
Colour	Black grey: RAL 7021
Suitable for	Vehicle
Finished coating	Powder coated
Material & thickness	2mm and 5mm steel
Quantity of keys	3 keys
Suitable for vehicle mounting	Yes
How are castors fitted?	Not applicable
Other sizes available	7 other sizes
Qty of shelves as standard	No

Dimensions - External dimensions includes protrusions



Optional extras - Contact Armorgard to find out more



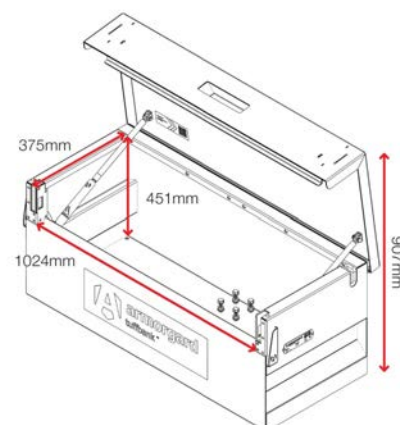
TuffBank Shelf SHE-4



PowerShelf SHE-P4-110



Castor Kit CASS6



Disclaimer: all dimensions and weights are approximate