



tuffbank™

Featuring IntaLokt locking mechanism

Product code: TB2

- » Our best-selling range of secure tool and equipment storage.
- » TuffBanks adhere to rigorous test standards required by the police.
- » Unique external and internal anti-jemmy systems for added security.



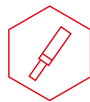
Product features



2x deadlock



Forklift skids



Gas strut (300N)



IntaLokt locking mechanism



No detachable parts



SlamStop lid stay SLM2

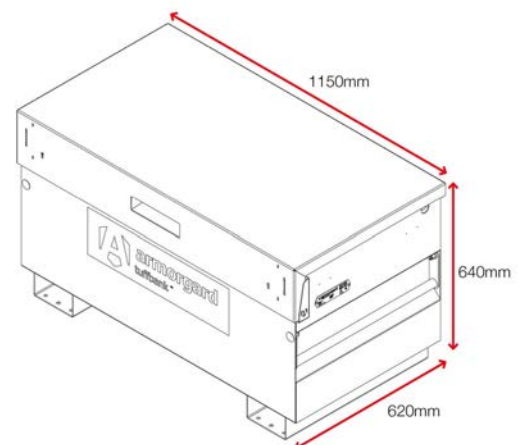


Suitable for site

Specifications

Weight	80kg
Colour	Black grey: RAL 7021, Traffic red: RAL 3020
Suitable for	Site
Finished coating	Powder coated
Material & thickness	2mm and 5mm steel
Quantity of keys	3 keys
Suitable for vehicle mounting	Yes
How are castors fitted?	Castor plates
Other sizes available	7 other sizes
Qty of shelves as standard	No

Dimensions - External dimensions includes protrusions



Optional extras - Contact Armorgard to find out more



Crane lifting eyes CLEK



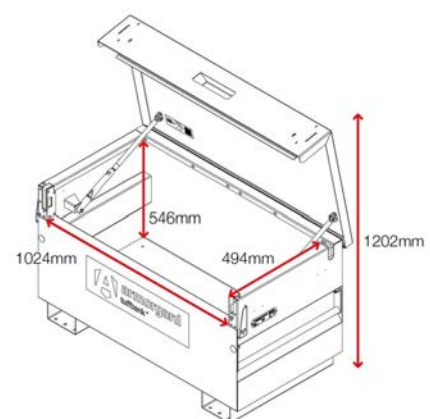
Castor Kit CASS1



TuffBank Shelf SHE-4



PowerShelf SHE-P4-110



Disclaimer: all dimensions and weights are approximate