



tuffbank™

Featuring IntaLokt locking mechanism

Product code: TB21

- » Part of our best-selling range of secure tool and equipment storage.
- » The narrowest box in the range to fit into those tighter spaces.
- » Has forklift pockets to move around site easily.



Product features



2x deadlock



Forklift skids



Gas strut (300N)



IntaLokt locking mechanism



No detachable parts



SlamStop lid stay SLM2

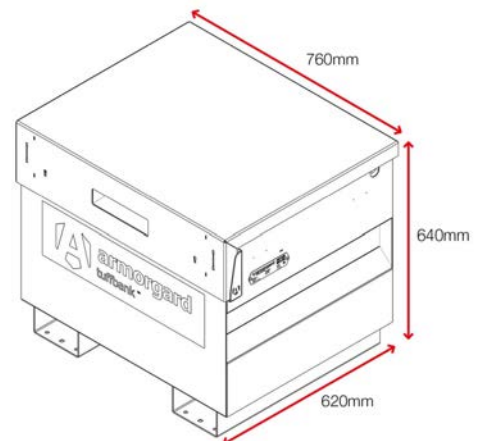


Suitable for site

Specifications

Weight	60kg
Colour	Black grey: RAL 7021, Traffic red: RAL 3020
Suitable for	Site
Finished coating	Powder coated
Material & thickness	2mm and 5mm steel
Quantity of keys	3 keys
Suitable for vehicle mounting	Yes
How are castors fitted?	Castor plates
Other sizes available	7 other sizes
Qty of shelves as standard	No

Dimensions - External dimensions includes protrusions



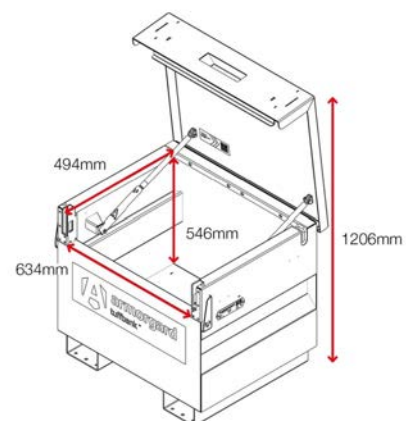
Optional extras - Contact Armorgard to find out more



Castor Kit CASS1



Crane lifting eyes CLEK



Disclaimer: all dimensions and weights are approximate