



# tuffbank™

## Featuring IntaLokt locking mechanism

Product code: TB6

- » Secure truck tool storage box.
- » Maximising storage space on vans and flatbeds.
- » UK's preferred accreditation - Sold Secure and Secured by Design.



## Product features



2x deadlock



Forklift skids



Gas strut (450N)



IntaLokt locking mechanism



No detachable parts



SlamStop lid stay SLM2



Suitable for vehicle

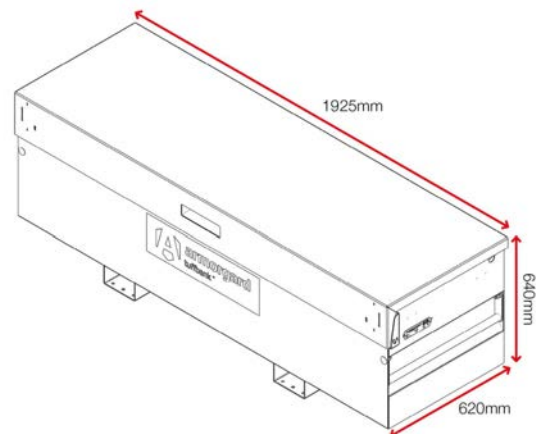


Suitable for site

## Specifications

Weight	114kg
Colour	Black grey: RAL 7021, Traffic red: RAL 3020
Suitable for	Vehicle
Finished coating	Powder coated
Material & thickness	2mm and 5mm steel
Quantity of keys	3 keys
Suitable for vehicle mounting	Yes
How are castors fitted?	Castor plates
Other sizes available	7 other sizes
Qty of shelves as standard	No

## Dimensions - External dimensions includes protrusions



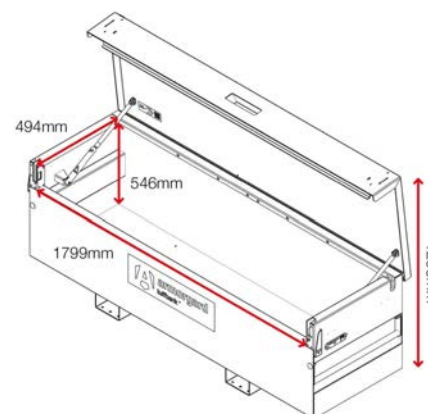
## Optional extras - Contact Armorgard to find out more



Crane lifting eyes CLEK



Castor Kit CASS1



Disclaimer: all dimensions and weights are approximate