



tuffbank™

Featuring IntaLokt locking mechanism

Product code: TBC5

- » The largest in our best-selling TuffBank range.
- » Police accredited secure storage site chest.
- » Large storage capacity with maximum security.



Product features



2x deadlock



Forklift skids



Gas strut (1000N)



IntaLokt locking mechanism



No detachable parts



SlamStop lid stay SLM3

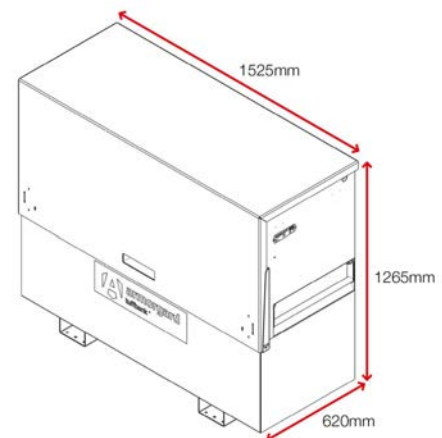


Suitable for site

Specifications

Weight	157kg
Colour	Black grey: RAL 7021, Traffic red: RAL 3020
Suitable for	Site
Finished coating	Powder coated
Material & thickness	2mm and 5mm steel
Quantity of keys	3 keys
Suitable for vehicle mounting	No
How are castors fitted?	Castor plates
Other sizes available	7 other sizes
Qty of shelves as standard	No

Dimensions - External dimensions includes protrusions



Optional extras - Contact Armorgard to find out more



Crane lifting eyes CLEK



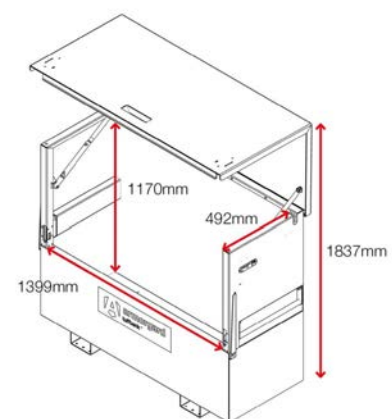
Castor Kit CASS1



TuffBank Shelf SHE-D5



PowerShelf SHE-DP5-110



Disclaimer: all dimensions and weights are approximate