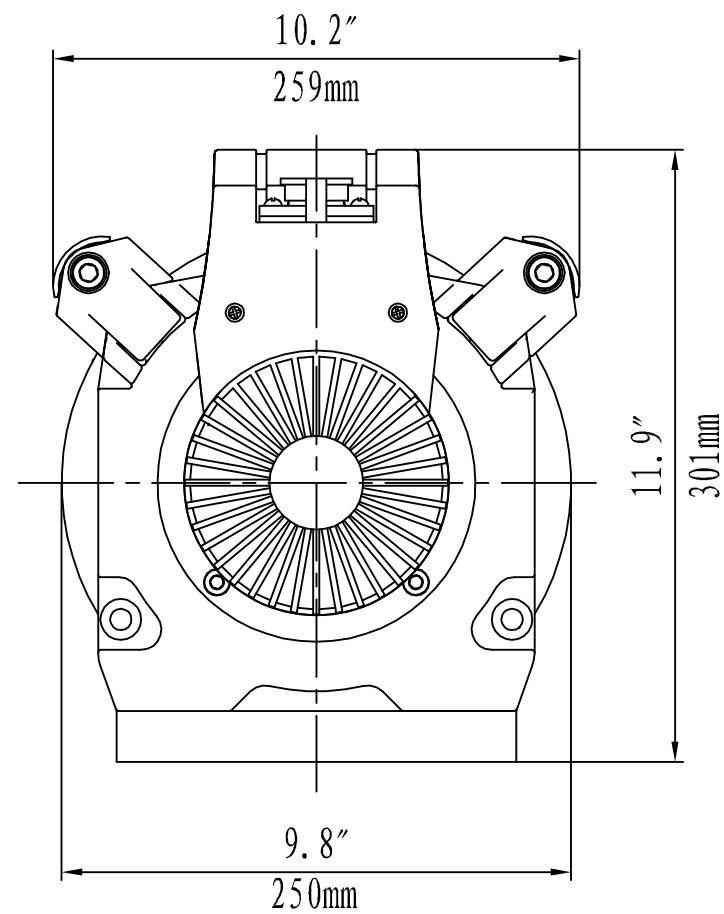
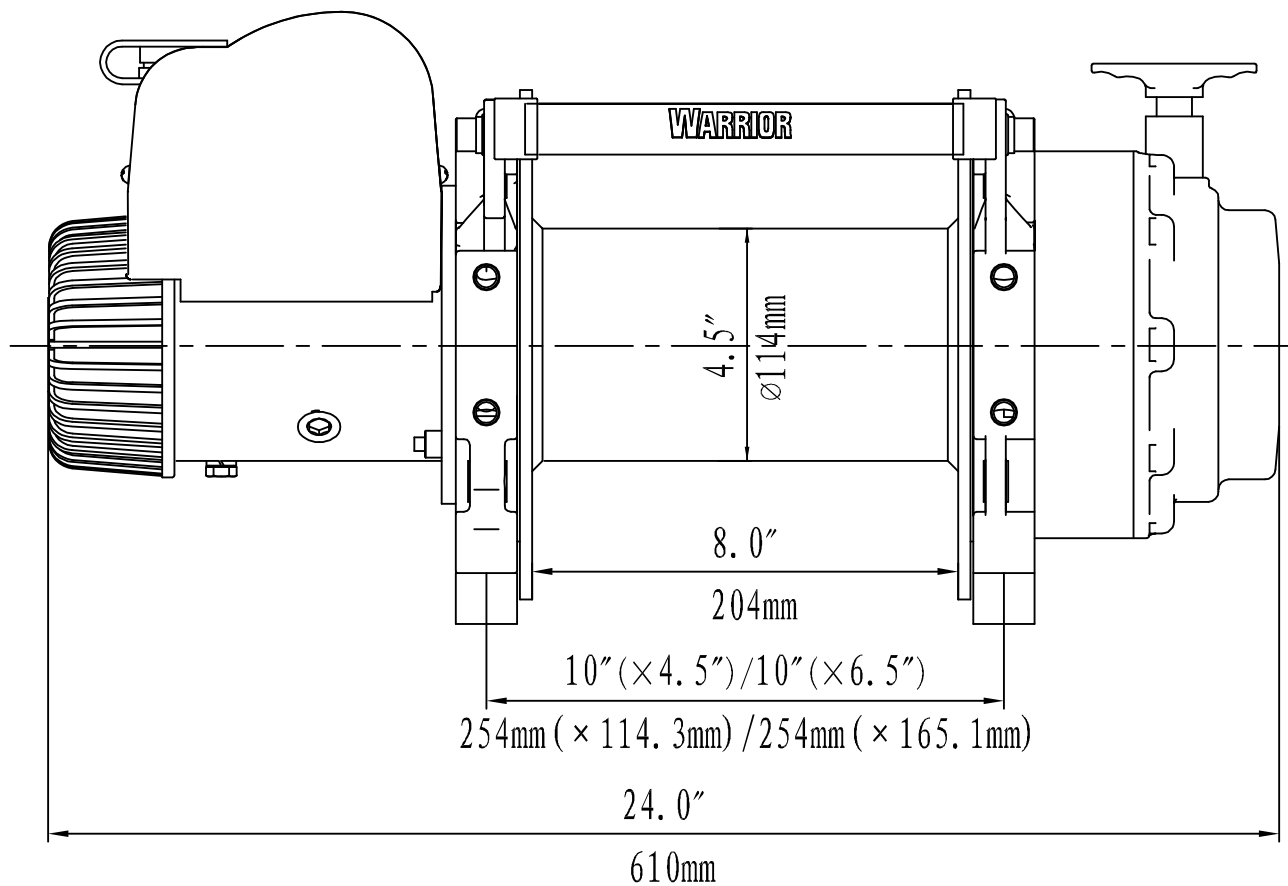




EN 6000 TECHNICAL DIAGRAM



VALUE WITHOUT COMPROMISE