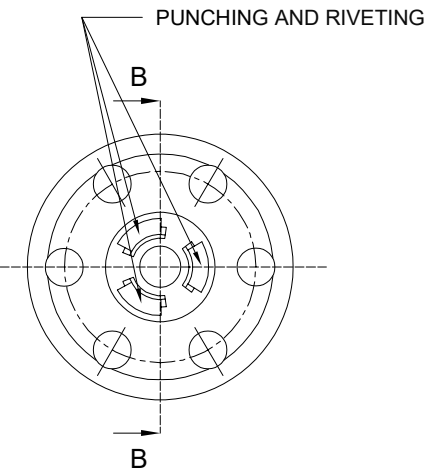
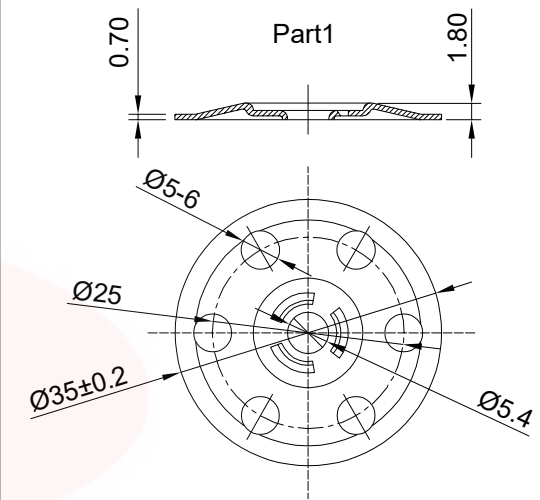


PLEASE NOTE:

1. **DO NOT SCALE**
2. All dimensions in millimeters unless otherwise noted. Structural sections to be designed by others. Evolution fasteners specified in accordance with material loads provided by project specific Engineer. Evolution fasteners must be installed as per best practice or manufacturers guidelines.
3. Due to the nature of the product, this drawing is provided strictly without prejudice, without recourse, without liability, non-assumpt, no assured value, errors and omissions excepted, subject to change without notice and all rights reserved. This drawing remains the intellectual property of Evolution Fasteners UK Ltd and must not be copied, altered or reproduced without the expressed, written approval of Evolution Fasteners UK Ltd. This drawing supersedes all previous versions and is subject to change without notice, as such dimensions may not match historical stock or product.



(Technology requirement)
 1.(Part to be free from burrs)
 2.ISO2768-m
 General tolerance according to ISO2768-m

DO NOT SCALE

SIZE	HEAD DIAMETER	DRILL-Ø (mm)	ANCHOR LENGTH L(mm)	L1	MIN. DRILL HOLE DEPTH(mm)	EFFECT ANCHORAGE DEPTH (mm)	MAX. USABLE LENGTH (mm)	MARK
8X110	35	8	110	78	120	50	30-60	8X110
8X140	35	8	140	78	150	50	60-90	8X140
8X170	35	8	170	78	180	50	90-120	8X170

Evolution Fasteners UK Ltd

DESCRIPTION: A2GIA RANGE SHEET: 01 ISSUE: A

ANCHOR MATERIAL GRADE: EN 1.4301/ A2/ AISI 304