

*Technical Datasheet**Application*

For suspension from a purlin

Technical Details

Material: Mild Steel to BS EN 10139

Surface Finish: Zinc Plated : EN12329

Ultimate Static
Vertical Load: 70 kg

Safe Static Vertical
load: 20 kg

Safety Factor: 3:1

Load Ratings

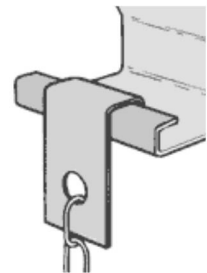
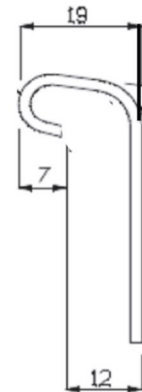
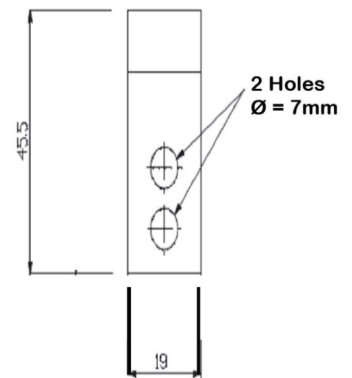
Ultimate static load is the failure load of the hanger in a vertical static position.

Safe static vertical work load is the recommended maximum vertical static load for the clip

Safety factor—the recommended safety factor is 3:1

Health & Safety

As with all metal products, there is a risk from sharp corners or edges. Appropriate PPE should be used. Repeated contact with metal coatings may cause skin irritation.



Test Methodology

