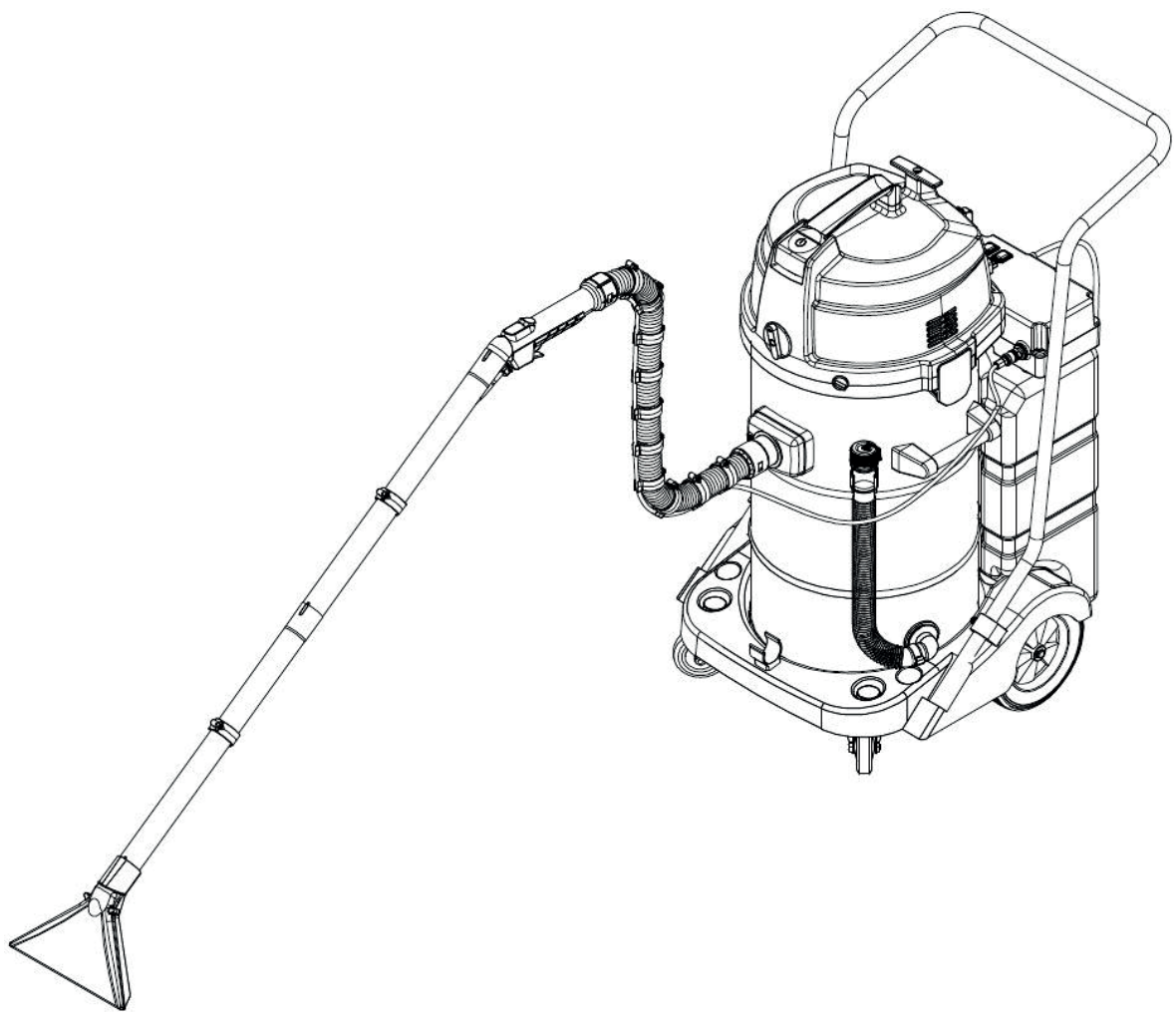




Instructions Manual

Read instructions manual before use!



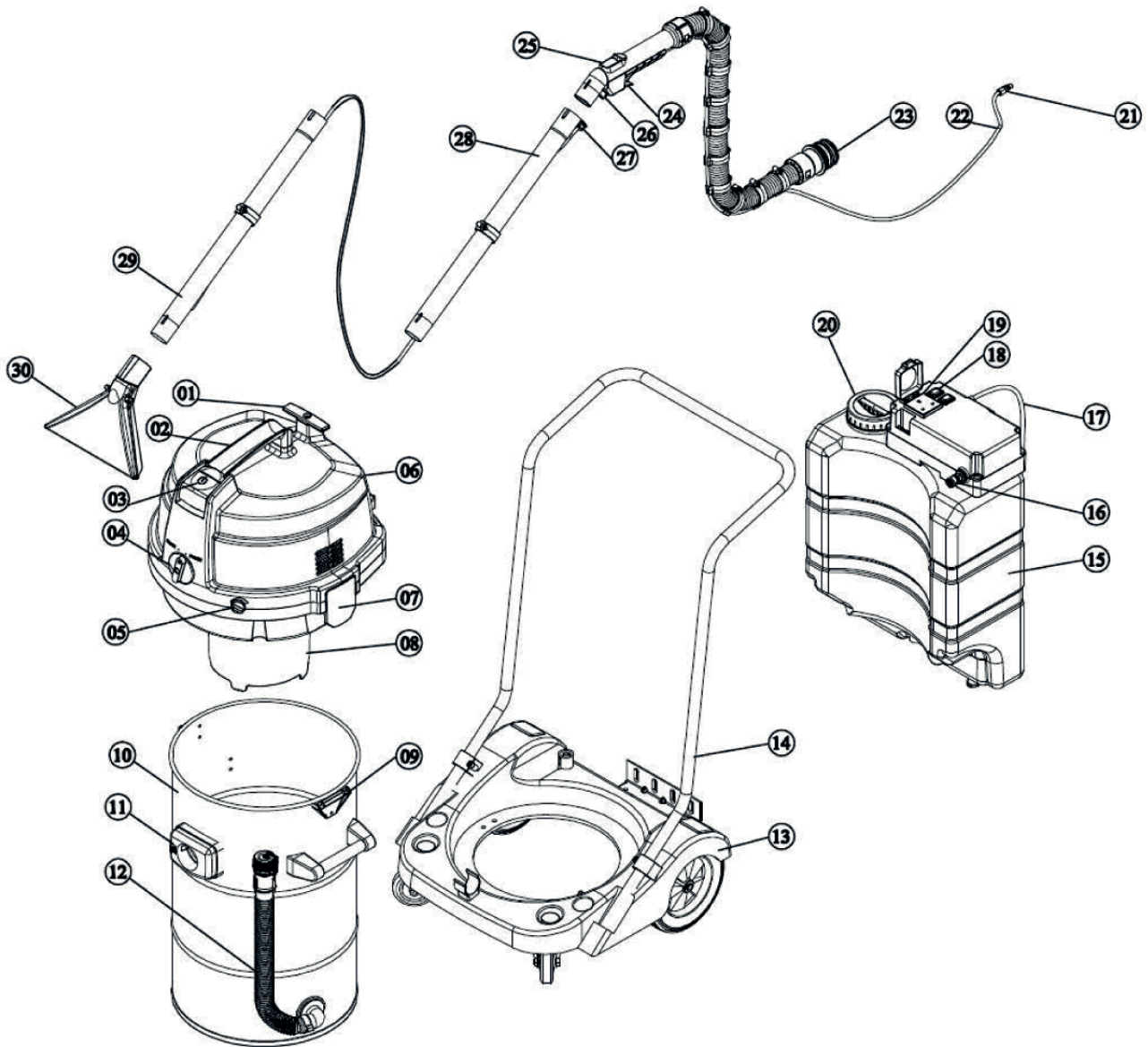
Equipmart Ltd
Kiam House
Birchill Road
Knowsley Ind. Park North
Merseyside
L33 7TD
United Kingdom



T: 0044 151 548 5500
F: 0044 151 548 5599

© Equipmart Ltd
www.kiamproducts.co.uk

1. Parts List



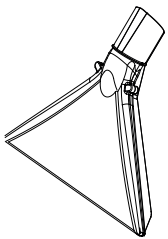
- | | | |
|----------------------------|-----------------------|--------------------------|
| 01. Power Cord Hook | 02. Top Handle | 03. Power On/Off Switch |
| 04. Motor Switch | 05. Vacuum Adjuster | 06. Air Outlet Socket |
| 07. Vacuum Head Clip | 08. Float Cylinder | 09. Clip Holder |
| 10. Stainless Tank | 11. Hose Inlet Socket | 12. Water Drain Hose |
| 13. Trolley | 14. Handle | 15. Fresh Water Tank |
| 16. Quick Connector Female | 17. Power Cable | 18. Twin Pump Switches |
| 19. Power Socket | 20. Fresh Water Cap | 21. Quick Connector Male |
| 22. Detergent Tube | 23. Vacuum Hose | 24. Trigger |
| 25. Air Slider | 26. Connector Male | 27. Connector Female |
| 28. Extension Pipe A | 29. Extension Pipe B | 30. Carpet Tool |
| 31. Upholstery Tool | | |

2. About the Contractor

This machine is designed for the spray / extraction cleaning of soiled carpet & upholstery. Widely used by professional cleaners, valeting companies and around the home, the Contractor gives reliable performance & long life.

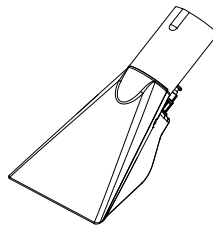
The Contractor features:

1. This machine includes two motors and two pumps for powerful, strong suction, and has two switched motors which can be run both simultaneously and independently, offering appropriate power for the job at hand.
2. Large detergent tank with a 30 litre capacity for cleaning large areas.
3. Top Vacuum head with clip which easily disconnects.
4. Two Powerful pumps to provide high-efficiency cleaning performance for the carpet and floor.
5. Power cable can be placed on the hook of top head for storage.
6. With adjustable vacuum valve for variable suction.
7. Quick Release connectors for high efficiency- water tube installation and removal.
8. With blowing function.
9. Removable frame with filter with replaceable filter function.
10. Easy to operate design & features.
11. With water draining function.
12. Supplied with two different tools:



Carpet Tool

Applicable for carpets, rugs and floors.



Upholstery Tool

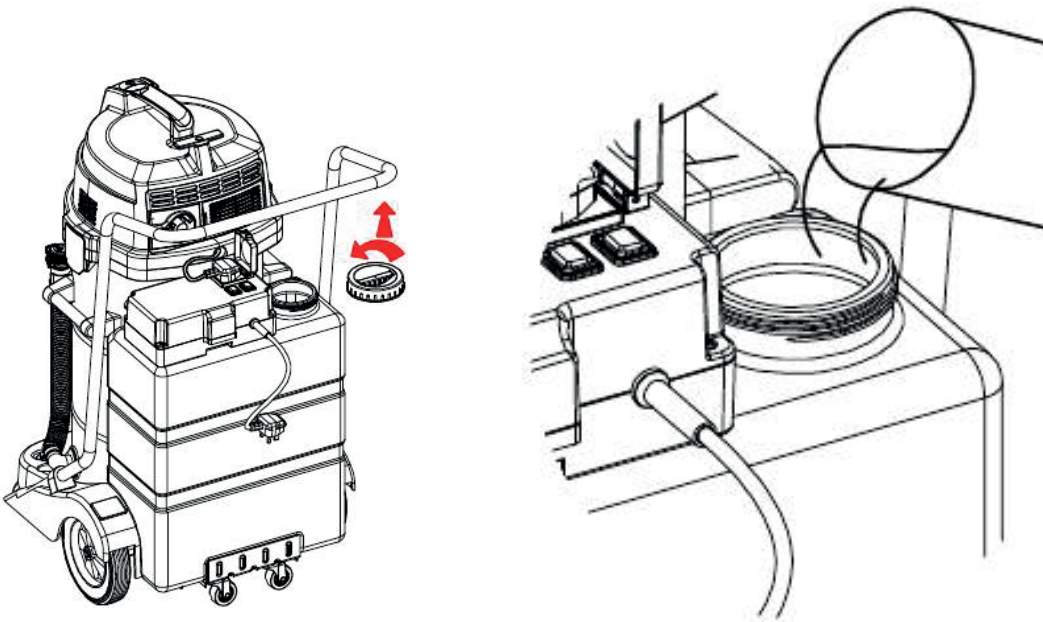
Applicable for small areas such as seats and spillages.

3. Specification

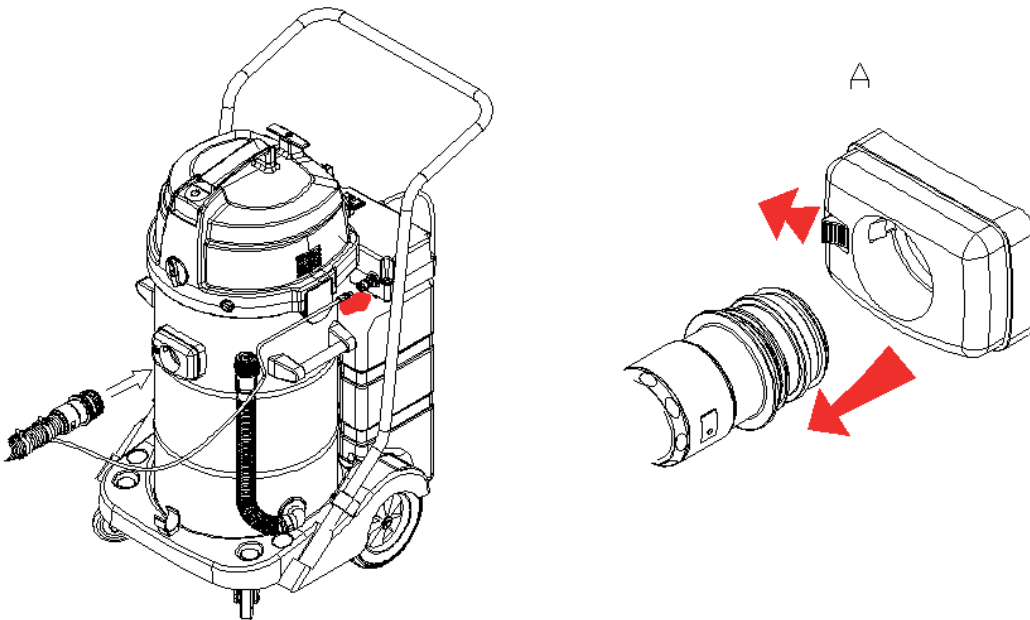
Model:	Aquarius Contractor
Voltage:	230V
Current:	11A
Motor Power:	2400W (1200W Per Motor)
Air Flow:	2.5m ³ /min.
Pump Power:	100W (50W Per Pump)
Pump Pressure:	8 Bar (4 Bar Per Pump)
Water Lift:	3000mmH ² O
Detergent Tank Capacity:	30L
Stainless Tank Capacity:	55L
Vacuum Hose Length:	3m
Dimensions:	(W) 550 x (D) 508 x (H) 940mm
Weight (Dry):	28.6kg

4. How to Operate

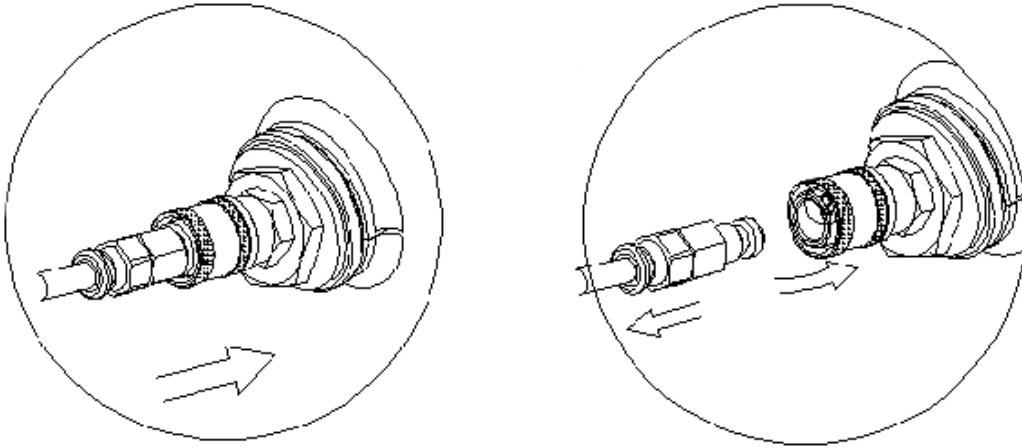
1. Unscrew the cap on the detergent tank and pour in fresh water and detergent. Screw the cap back on.



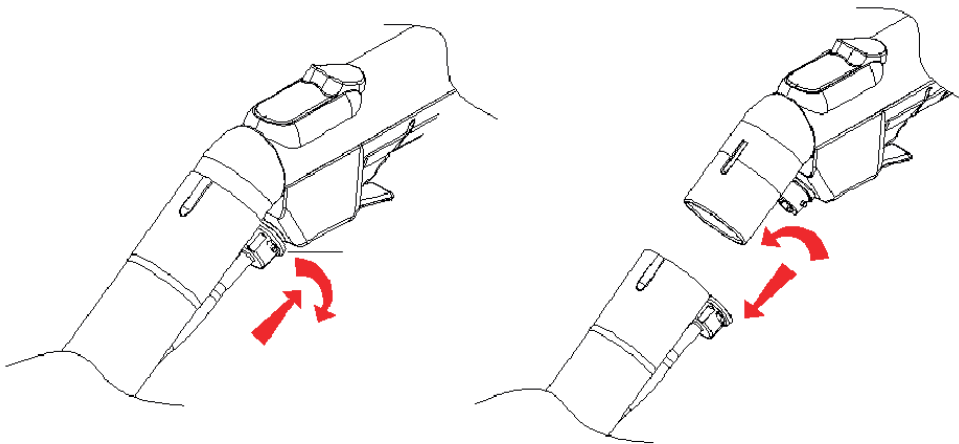
2. Insert the vacuum hose into the hose coupler and connect detergent tube into the quick release connector. To disconnect the hose, push the button on the hose coupler and remove the hose (as below).



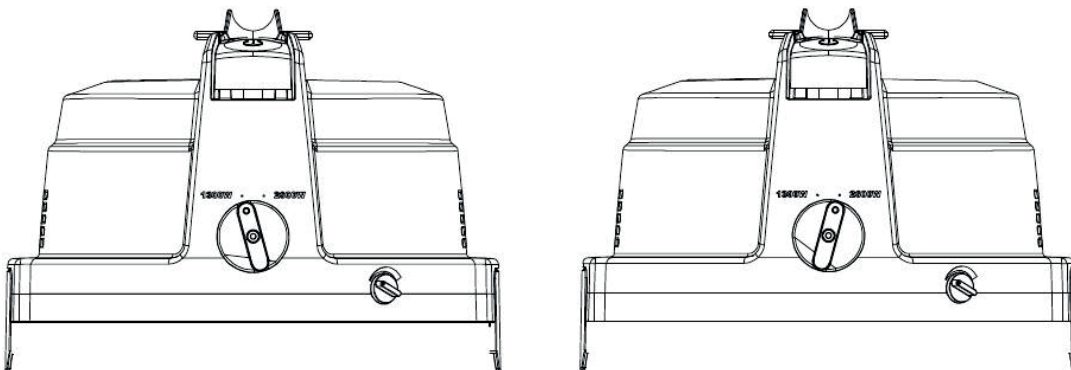
3. Insert and push the male quick connector from the vacuum hose into the female quick connector on the machine. To disconnect the quick connector, push back the female quick connector to eject the male quick connector.



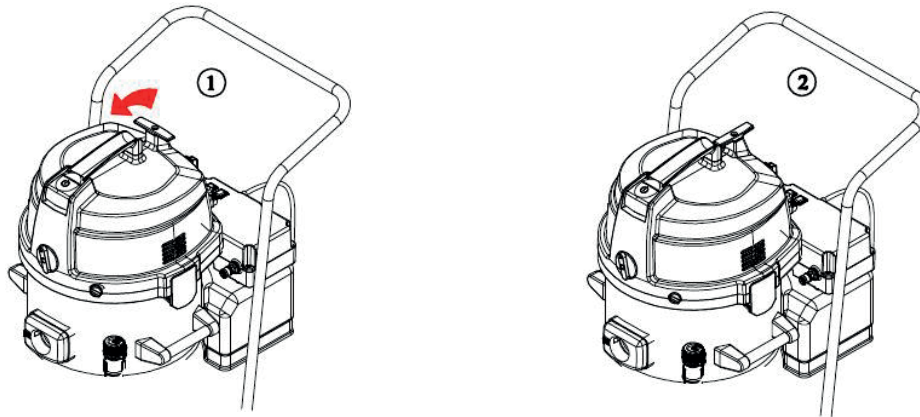
4. Connect the stainless steel tube into the suction hose connector. Connect the detergent pipe into the suction hose and twist it in a clockwise direction to lock in place (as below). To release the detergent pipe, unlock it by twisting anti-clockwise and pull away from the suction hose. To disconnect the stainless steel tube, simply pull away from the suction hose.



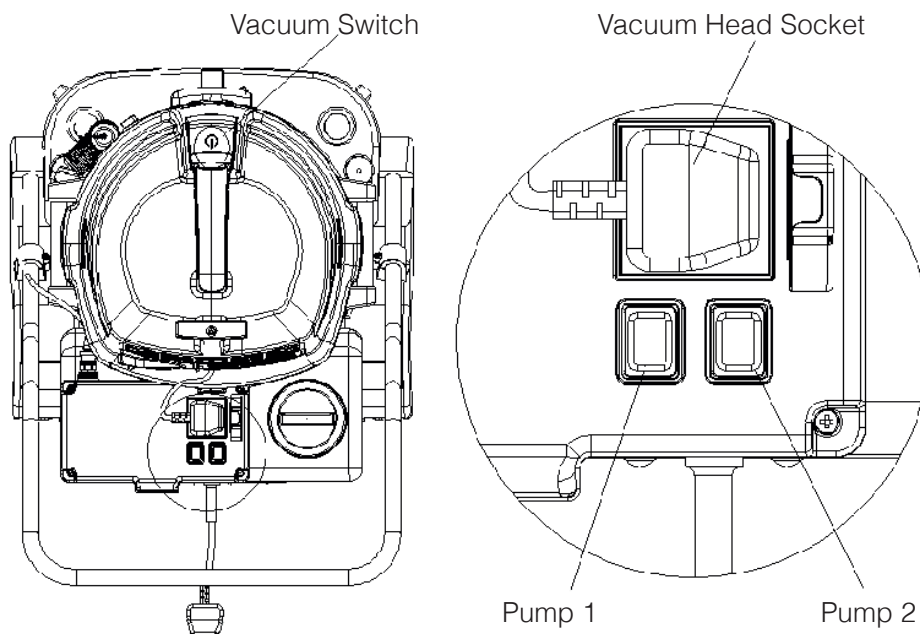
5. When the switch at the rear of the vacuum head is at the 'economy' position, the machine will operate on a single vacuum motor (1200W). When it is switched to the 'turbo' position, the machine will operate on both vacuum motors (2400W).



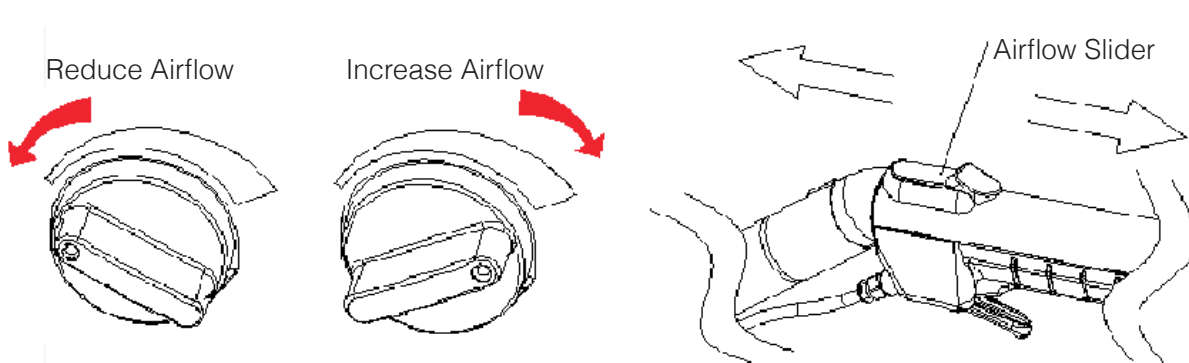
6. When storing the machine you can wrap the power cable around the groove of hook (as shown in image 1). Then twist the hook 90 degrees to keep the power cable in place (as shown in image 2).



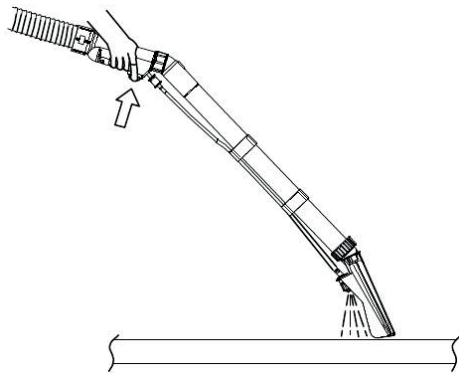
7. Connect the power cable from the back of the vacuum head into the socket on the detergent pump cover. Connect the power cable from the detergent pump cover into a mains socket. Press the power switch at the front of the vacuum head to start the vacuum motor. Switch on pump 1 or pump 2 or both for the detergent pumps.



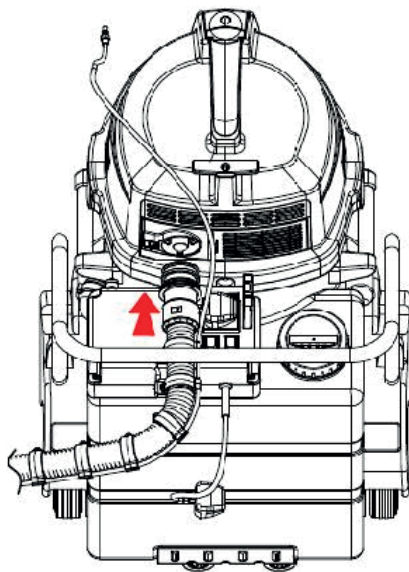
8. The air adjuster allows adjustment of airflow according to the different needs of suction volume. When you adjust the knob to the left side you reduce the airflow, adjust the knob clockwise to increase the airflow. You can also adjust the airflow via the slider on the trigger handle, with the slider open airflow is reduced.



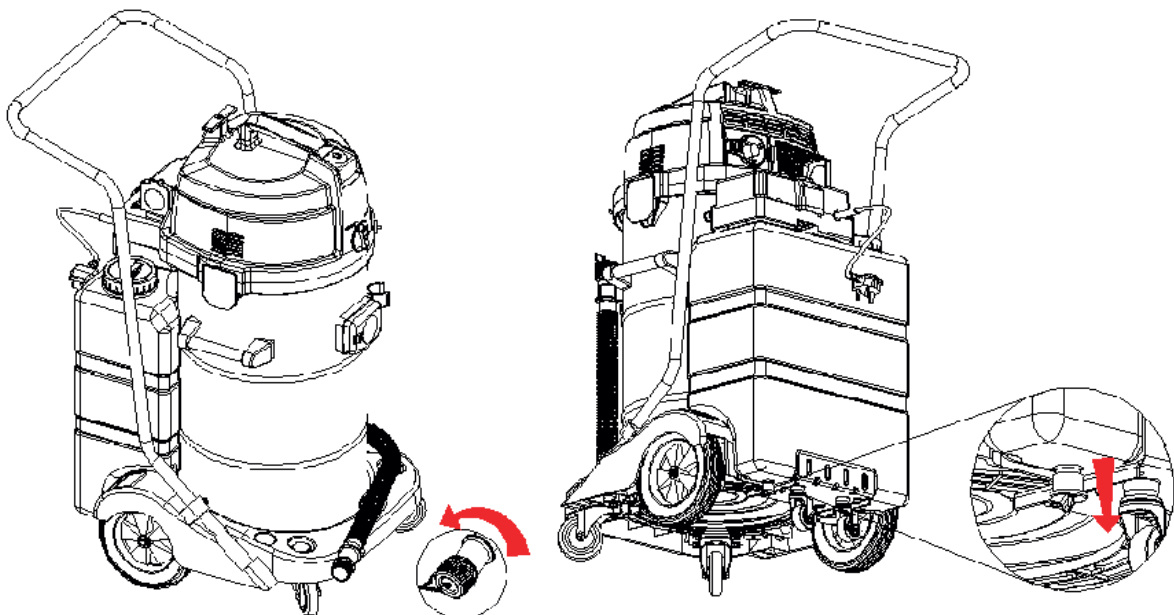
9. Press the trigger on the vacuum hose to spray detergent.



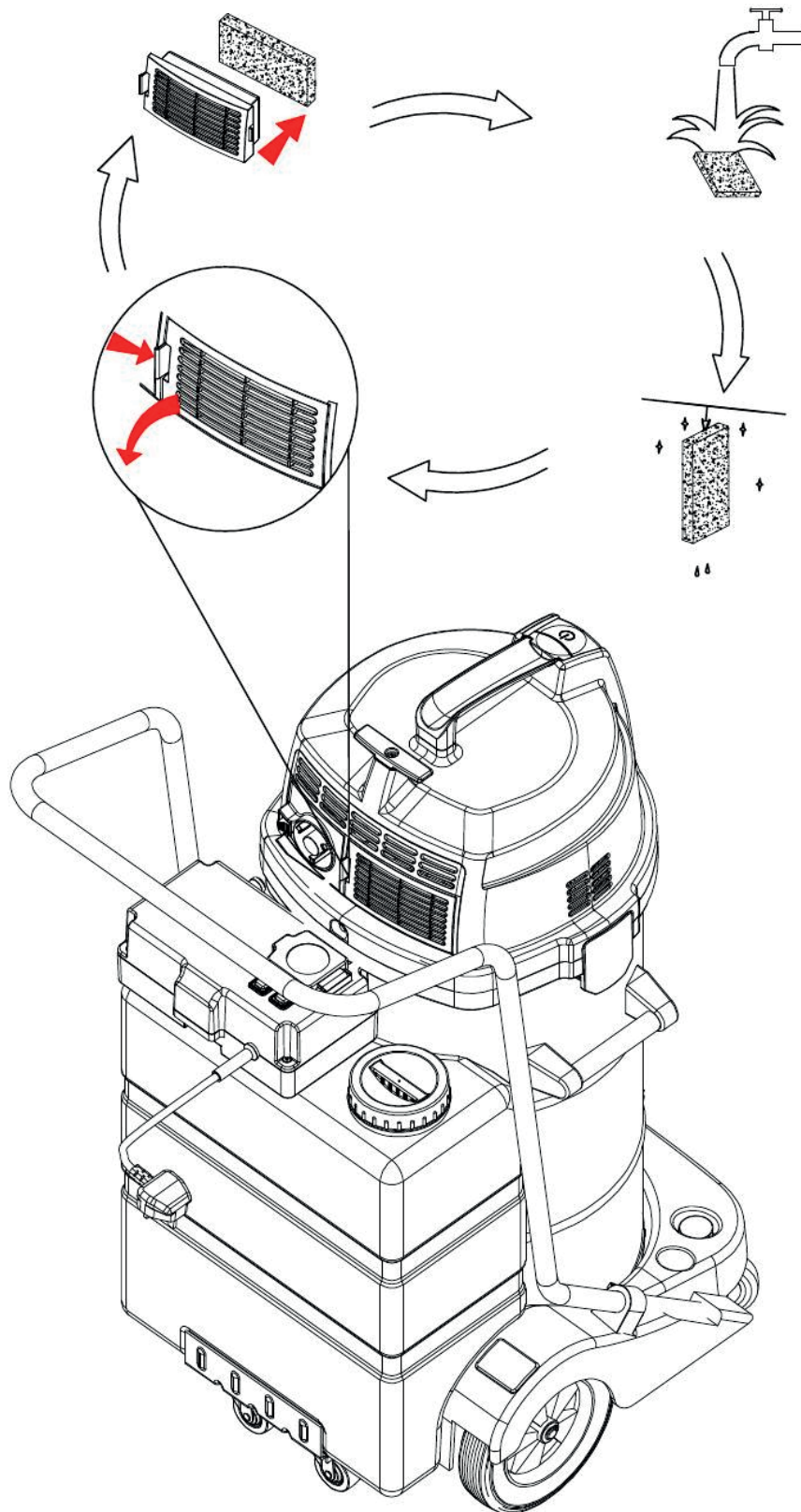
10. For the blower function simply plug in the vacuum hose into the back of the vacuum head.



11. To drain the waste water tank, un-clip the water drain hose from the tank, place the drain hose into the drain and open the cap allow the water out. To drain the detergent tank open the drain cap at the bottom.



12. To clean the air filter, simply remove air filter housing from the back of the vacuum head and take out the filter. Wash it with clean water and leave to dry. Always make sure the filter is completely dry before re-installing as you may cause damage to the machine.



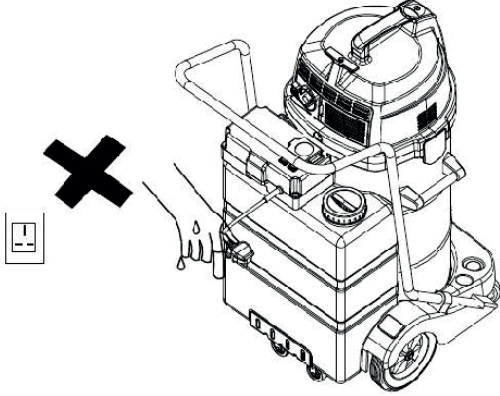
5. Filters

For dry use, fit the white cloth filter.

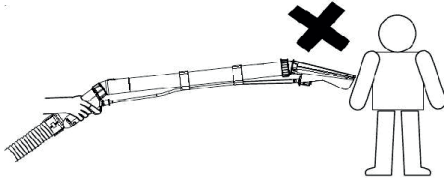
For wet use / spray extraction cleaning, remove the white cloth filter and fit the wet float cover housing (this protects against foam ingress).

6. For Safe Operation

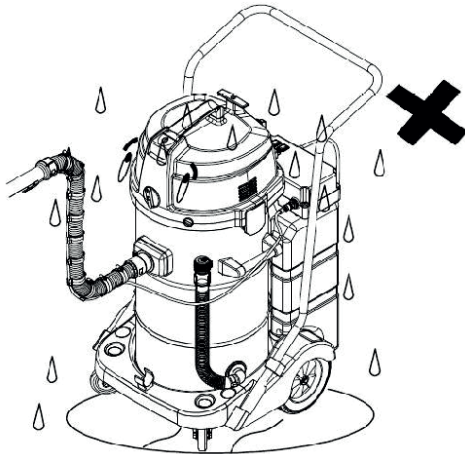
1. Don't touch or operate the switches with wet hands as this may cause electric shock.



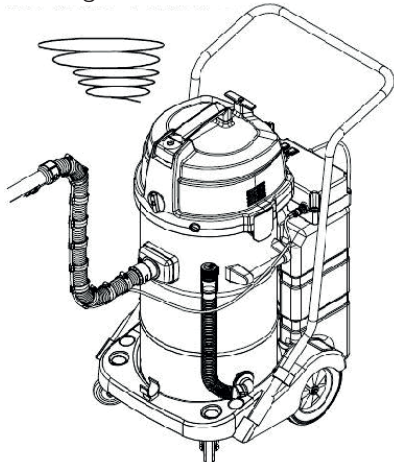
2. Don't spray water/detergent at other people.



3. Don't operate the machine outside in the rain as this may cause electric shock and/or damage to the machine.



4. When the suction is getting reduced performance, stop the machine and check the nozzle, hose and extension tubes for blockages. Check if the filter is dusty or blocked.



5. If the machine is damaged, please call us on 0151 548 5500.
6. Remove all liquid from the machine before lifting.
7. When you are getting no spray from the nozzle, check the detergent pipe and connector for any blockages. Check there is enough water in the detergent tank. Check if the pump is working correctly.
8. **NEVER** run the pumps without water as this will overheat the pumps causing damage to the pump. **Always switch off** the pumps when not in use to avoid damage / overheating.
9. Do not pick up oil or other flammable material with the machine.
10. Do not use in an explosive atmosphere.
11. Keep children and unauthorized people away from the machine when in use.
12. Be careful when using a machine near the top of stairs to avoid overbalancing.
13. Do not leave the machine connected to the electricity supply when not in use, always remove the plug from the socket outlet.
14. Do not operate machine with a damaged supply cable or plug, or if the machine is damaged. Please call 0151 548 5500.
15. Always unplug the machine from the socket outlet before cleaning the machine or undertaking any maintenance operations.
16. The power supply cable must be regularly inspected for signs of damage. If the power cord is damaged, it must be replaced.
17. Keep cleaning solutions away from children and pets at all times.
18. Do not leave the machine running unattended.
19. This machine should only be used indoors and should not be used or stored outdoors or in wet conditions.