

SEALEY

TRAILING ARM BUSH TOOL - FORD

MODEL NO: VSE4788

Thank you for purchasing a Sealey product. Manufactured to a high standard, this product will, if used according to these instructions, and properly maintained, give you years of trouble free performance.

IMPORTANT: PLEASE READ THESE INSTRUCTIONS CAREFULLY. NOTE THE SAFE OPERATIONAL REQUIREMENTS, WARNINGS & CAUTIONS. USE THE PRODUCT CORRECTLY AND WITH CARE FOR THE PURPOSE FOR WHICH IT IS INTENDED. FAILURE TO DO SO MAY CAUSE DAMAGE AND/OR PERSONAL INJURY AND WILL INVALIDATE THE WARRANTY. KEEP THESE INSTRUCTIONS SAFE FOR FUTURE USE.



Refer to instruction manual



Wear eye protection



DO NOT USE AIR TOOLS



ALWAYS KEEP FORCE SCREW WELL LUBRICATED.

1. SAFETY

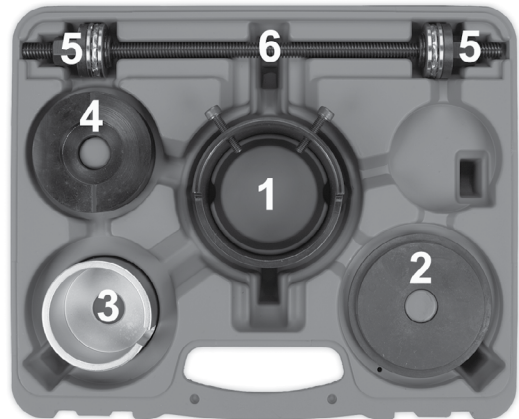
- WARNING!** Ensure Health and Safety, local authority and general workshop practice regulations are adhered to when using tools.
- DO NOT** use tools if damaged.
- Maintain tools in good and clean condition for best and safest performance.
- Ensure that a vehicle which has been jacked up is adequately supported with axle stands and that the wheels are chocked, refer to the vehicle manufacturer's service instructions, or a proprietary manual.
- Wear approved eye protection. A full range of personal safety equipment is available from your Sealey stockist.
- Wear suitable clothing to avoid snagging. **DO NOT** wear jewellery and tie back long hair.
- DO NOT** use air tools to operate the force screw.
IMPORTANT: The force screw must be kept well lubricated.
NOTE! Pictures have been taken with the trailing arm removed from the vehicle for clarity. Refer to the vehicle manufacturer's service instructions or a proprietary manual to carry this out.
IMPORTANT: This tool is designed to aid the removal/installation of the bush. The area around the bush should be thoroughly cleaned.
An impact wrench must NOT be used with this tool.
Stripped threads are not accepted as warranty claims on this tool.
IMPORTANT: This manual is provided as a guide only, refer to the vehicle manufacturer's service instructions, or a proprietary manual, to establish the current procedure and data.
- WARNING!** Failure to heed safety and warning instructions may result in damage and/or personal injury and will invalidate the warranty.
- WARNING!** The warnings, cautions and instructions referred to in this manual cannot cover all possible conditions and situations that may occur. It must be understood that common sense and caution are factors which cannot be built into this product, but must be applied by the operator.

2. INTRODUCTION

Suitable for the removal/installation of the rear trailing arm bushes on Ford Fiesta MkVI. Can be used in situ without removing the arm from the vehicle. Also suitable for Mazda 2. Supplied in carry-case.

3. CONTENTS

Item	Part no.	Description	Qty.
1	VSE4788.01	Removal/installation sleeve	1
2	VSE4788.02	Removal/installation sleeve cap	1
3	VSE4788.03	Removal adaptor (silver)	1
4	VSE4788.04	Installation adaptor	1
5	VSE4788.05	Nut	2
6	VSE4788.06	Force screw	1

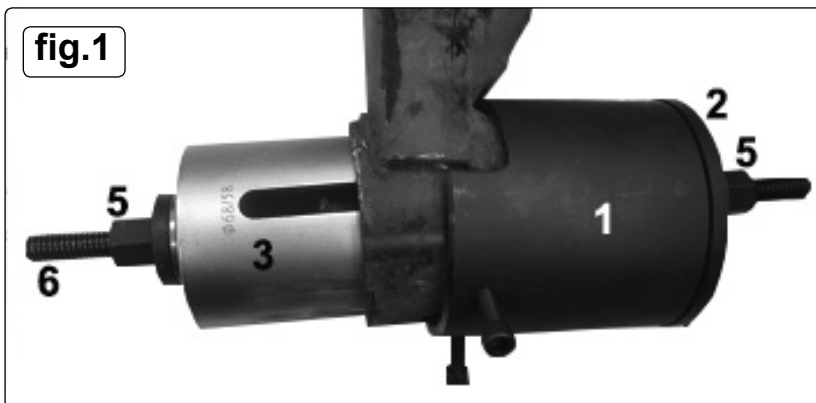


4. OPERATION

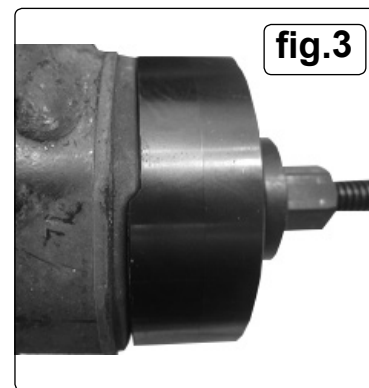
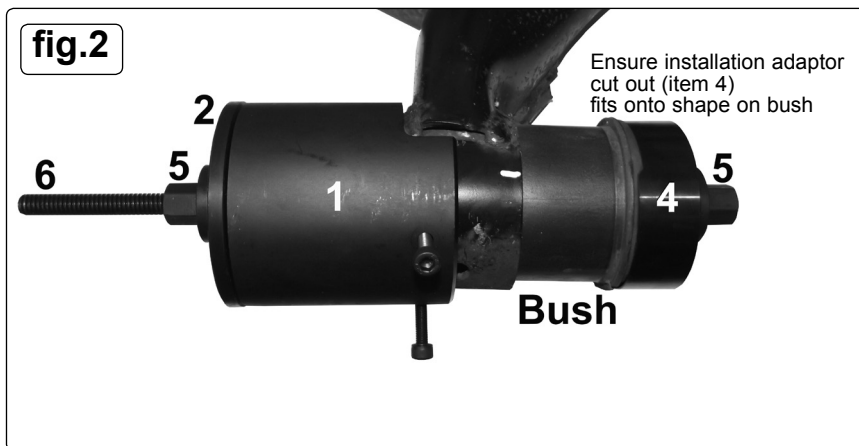
- 4.1. **Bush removal refer to fig.1**
- 4.1.1. The bush is designed so it can only be removed from one direction. On the side of the vehicle that requires the bush to be replaced, remove trailing arm mounting bolt from carrier and manoeuvre trailing arm to give clearance from the carrier, so there is enough room to use the bush removal tool. Refer to the vehicle manufacturer's service instructions, or a proprietary manual, to establish the correct procedure.
- 4.1.2. Note the rotational position of the old bush before removal because the new bush will need to be installed in the same position. It's advised to mark the housing and bush with a suitable marker so alignment can be referred to for installation.
- 4.1.3. Locate sleeve (item1) over the bush of the trailing arm from the outside of the vehicle, noting the position of the step on the sleeve. Lightly tighten the two bolts to hold sleeve into position.

- 4.1.4. Position cap (item 2) onto sleeve (item 1) and hold into position. Pass force screw with nut (items 5 & 6) through cap and sleeve (items 1 & 2) and through the centre of the bush. Position removal adaptor (item 3) on the other side of the bush. Fit second nut (item 5) and tighten by hand until the removal tool is held in place. Double check to make sure that everything is aligned and that the bush is sitting squarely against the housing.
- 4.1.5. Using a 17mm spanner, turn the nut clockwise. The extractor will start to extract the bush through the housing.
- 4.1.6. Keep turning until the bush has been extracted all the way out of the housing. Take care as the bush and assembly will fall away when the bush is fully removed.

NOTE! If any undue resistance is felt, remove the assembly and check everything is correctly aligned.



- 4.2. **Bush installation refer to fig's 2 & 3**
- 4.2.1. Before installing a new bush, clean the inside of the housing.
- 4.2.2. Locate sleeve (item 1) on the opposite side of the trailing arm, noting the position of the step on the sleeve. Lightly tighten the two bolts to hold sleeve into position.
- 4.2.3. Position cap (item 2) onto sleeve (item 1) and hold in position. Pass force screw with nut (items 5 & 6) through cap and sleeve (items 1 & 2) and through the centre of the trailing arm housing and bush to be installed. Position installation adaptor (item 4) on the other side of the bush making sure the adaptor is rotated to fit flush against the bush (fig.3). Fit second nut (item 5) and tighten by hand until the removal tool is held in place.
- 4.2.4. Double check to make sure that everything is aligned and that the bush is sitting squarely against the housing.
- 4.2.5. Using a 17mm spanner, turn the nut clockwise. The bush will start to be pushed into the housing.
NOTE! If any undue resistance is felt, remove the assembly and check that everything is correctly aligned.
- 4.2.6. Continue to turn the nut to install the bush, when the bush reaches the housing, resistance will be felt and the bush is fully installed.
- 4.2.7. Disassemble the tool, clean and lubricate before returning to the storage case.
- 4.2.8. Refit the trailing arm to carrier as per the vehicle manufacturer's service instructions or a proprietary manual.



ENVIRONMENT PROTECTION

Recycle unwanted materials instead of disposing of them as waste. All tools, accessories and packaging should be sorted, taken to a recycling centre and disposed of in a manner which is compatible with the environment. When the product becomes completely unserviceable and requires disposal, drain any fluids (if applicable) into approved containers and dispose of the product and fluids according to local regulations.

Note: It is our policy to continually improve products and as such we reserve the right to alter data, specifications and component parts without prior notice.

Important: No Liability is accepted for incorrect use of this product.

Warranty: Guarantee is 12 months from purchase date, proof of which is required for any claim.

Sealey Group, Kempson Way, Suffolk Business Park, Bury St Edmunds, Suffolk. IP32 7AR



01284 757500



01284 703534



sales@sealey.co.uk



www.sealey.co.uk