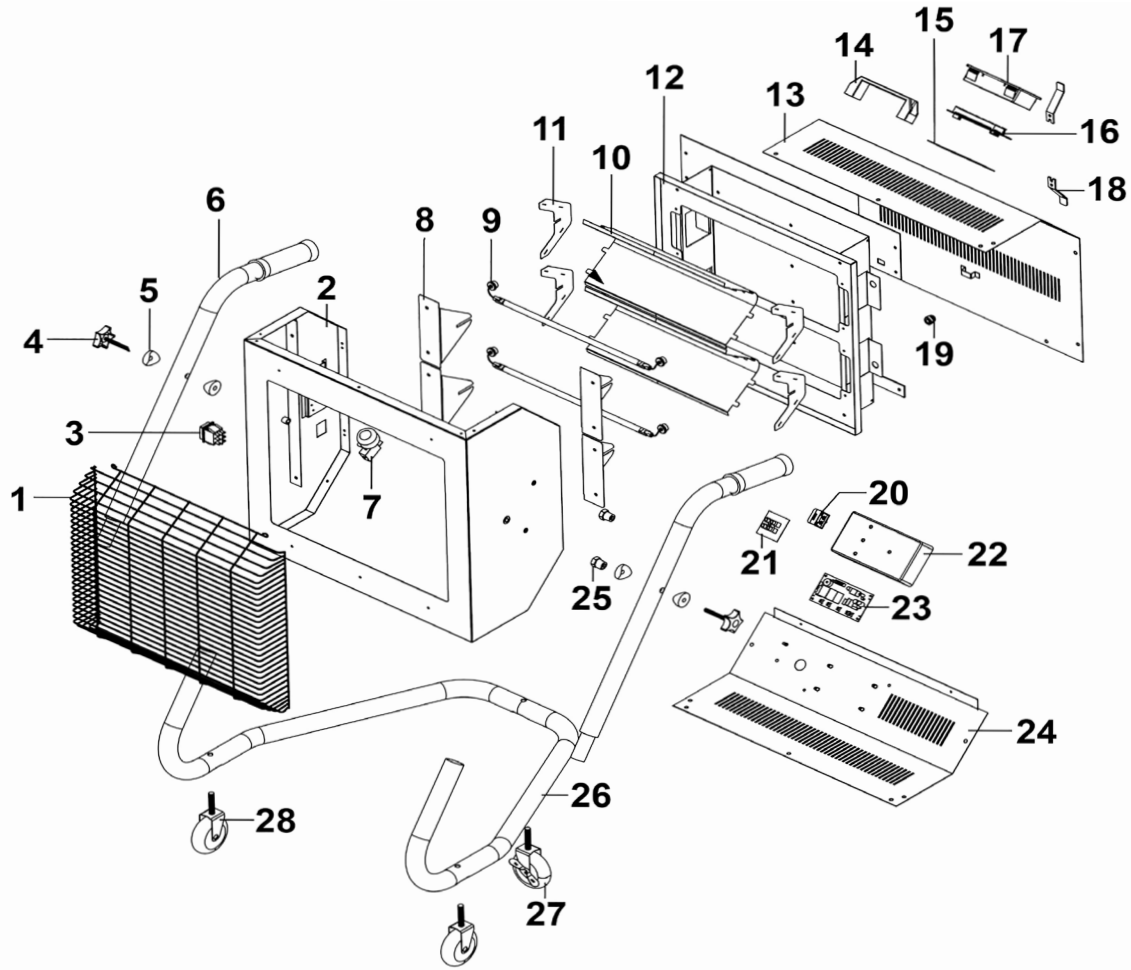




Parts Information:
Infrared Halogen Heater 1.4/2.8kW 230V
Infrared Halogen Heater 1.2/2.4kW 110V
Model No: IR15.V2 & IR15110V



Item	Part No.	Description
1	IR15.01	Front Guard
2	IR15.02	Main Body
3	IR15.03	On/Off Switch 250V 16A 125V AC T85/55
4	IR15.04	Handle Adjustment Knob
5	IR15.05	Plastic Curved Washer
6	IR15.06	Handle
7	IR15.07	Tilt Switch
8	IR15.08	Infrared Lamp Holder
9	IR15.09	Ruby Halogen Infrared Elements 230V (IR15.V2 Only)
9	IR15110V.09	Ruby Halogen Infrared Elements 110V (IR15110V Only)
10	IR15.10	Reflector
11	IR15.11	Side Plate for Reflector
12	IR15.12	Reflector Plate Base
13	IR15.13	Rear Cover, Upper
14	IR15.14	Rear Handle

Item	Part No.	Description
15	IR15.15	PCB Base Support
16	IR15-V2-16	PCB (for Upper Unit)
17	IR15.17	PCB Cover (for Upper Unit)
18	IR15.18	Cable Hook
19	IR15.19	Thermocouple Grip
20	IR15.20	Cable Grip
21	IR15.21	Terminal
22	IR15.22	PCB Cover (for Lower Unit)
23	IR15.23	PCB (for Lower Unit)
24	IR15.24	Rear Cover, Lower
25	IR15.25	Stop Block
26	IR15.26	Stand Base
27	IR15.27	Wheel, Swivel Castor, Single Bolt (w/ Brake) (D: 63 W: 30 B: 8 H: 120)
28	IR15.28	Wheel, Swivel Castor, Single Bolt (D: 63 W: 30 B: 8 H: 120)

NOTE: It is our policy to continually improve products and as such we reserve the right to alter data, specifications and component parts without prior notice. There may be alternative versions of this product, please contact us should you require this information.

IMPORTANT: No liability is accepted for incorrect use of product. Spare parts must be fitted by a competent person

WARRANTY: Guarantee is 12 months from purchase date, proof of which will be required for any claim.

Sealey Group, Kempson Way, Suffolk Business Park, Bury St Edmunds, Suffolk. IP32 7AR



01284 757500



sales@sealey.co.uk



www.sealey.co.uk